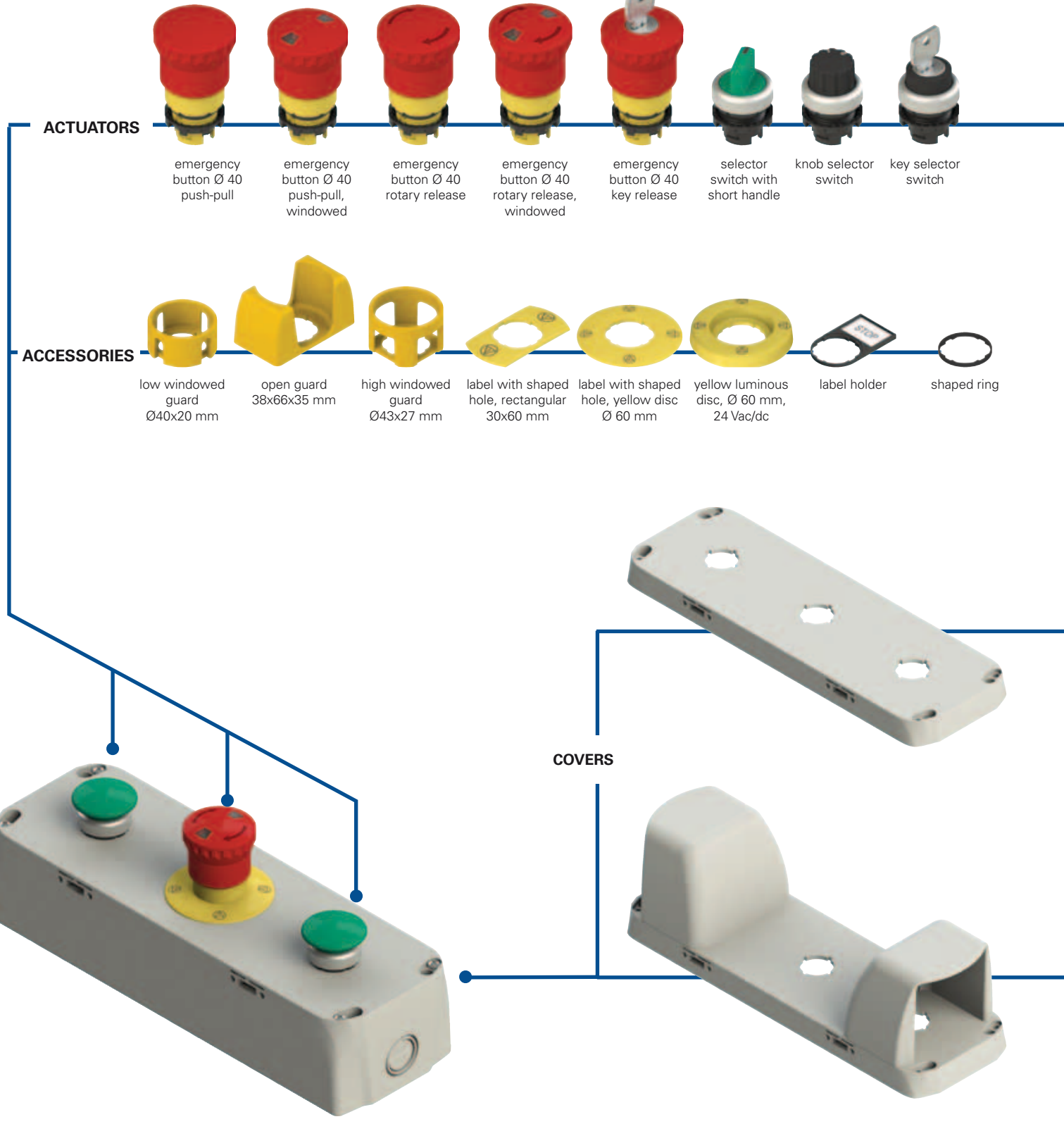
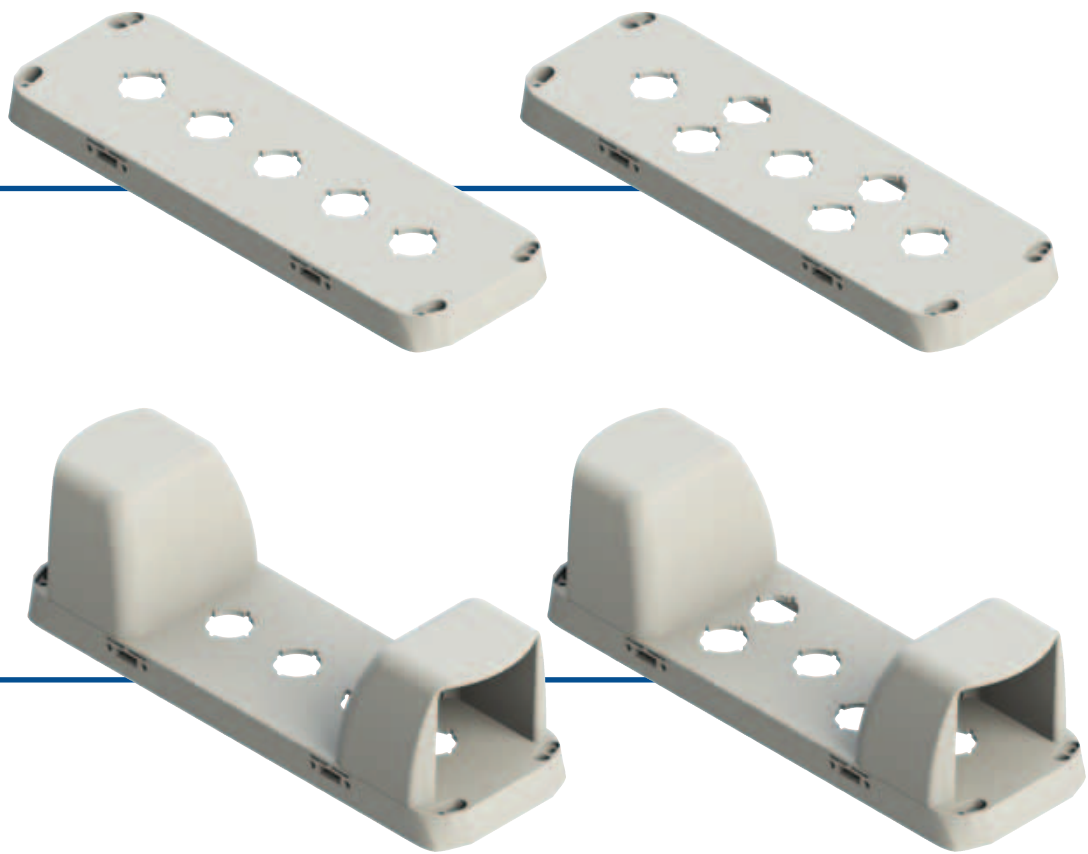


Selection diagram





**Code structure** **Attention!** The feasibility of a code number does not mean the effective availability of a product. Please contact our sales office.

## EA 37010

<table border="1" style="width: 100%; border-collapse: collapse;"> <tr> <td style="background-color: #f0f0f0;"><b>Body material</b></td> <td></td> </tr> <tr> <td style="background-color: #f0f0f0;"><b>3</b></td> <td>polycarbonate PC (standard)</td> </tr> </table>	<b>Body material</b>		<b>3</b>	polycarbonate PC (standard)	<table border="1" style="width: 100%; border-collapse: collapse;"> <tr> <td style="background-color: #f0f0f0;"><b>Configuration</b></td> <td></td> </tr> <tr> <td style="background-color: #f0f0f0;"><b>010</b></td> <td>grey base, grey cover</td> </tr> <tr> <td style="background-color: #f0f0f0;">...</td> <td>.....</td> </tr> </table>	<b>Configuration</b>		<b>010</b>	grey base, grey cover	...	.....
<b>Body material</b>											
<b>3</b>	polycarbonate PC (standard)										
<b>Configuration</b>											
<b>010</b>	grey base, grey cover										
...	.....										
<table border="1" style="width: 100%; border-collapse: collapse;"> <tr> <td style="background-color: #f0f0f0;"><b>Housing dimensions</b></td> <td></td> </tr> <tr> <td style="background-color: #f0f0f0;"><b>7</b></td> <td>280x90 mm</td> </tr> </table>		<b>Housing dimensions</b>		<b>7</b>	280x90 mm						
<b>Housing dimensions</b>											
<b>7</b>	280x90 mm										



#### Main features

- Protection degree IP65
- Stainless steel captive screws
- 2 x side cable entries + 2 x bottom cable entries

#### Quality marks:



EAC approval: RU C-IT ДМ94.В.01024

#### Technical data

##### Housing

Material:

Self-extinguishing shock-proof polycarbonate with double insulation, UV-resistant and glass fibre reinforced, high shock resistance.

Material of the screws:

Stainless steel

Protection degree:

IP65 acc. to EN 60529 (with cable gland showing equal or higher protection degree)

Conduit entries:

2 x M20 – M25 - 1/2 NPT knock-out side entries

2 x M20 – M25 - 1/2 NPT knock-out base entries

Device installation:

Suitable for the installation of Ø 22 mm control and signalling devices

Ø 22 mm hole acc. to EN 60947-5-1

Utilization requirements:

See page 139

For a correct operation in compliance with standard EN 574, the two-hand controls must be connected to a safety module for two-hand control safety device CS DM●●●●●. See Pizzato Elettrica's General Catalogue Safety.

#### General data

Ambient temperature:

-40°C ... +80°C

Tightening torque of the cover screws: 1 ... 1.4 Nm

#### In compliance with standards:

IEC 60947-1, IEC 60947-5-1, EN 574, IEC 60204-1, EN 60947-1, EN 60947-5-1, EN 60204-1, UL 508, CSA 22-2 No. 14.

#### Compliance with the requirements of:

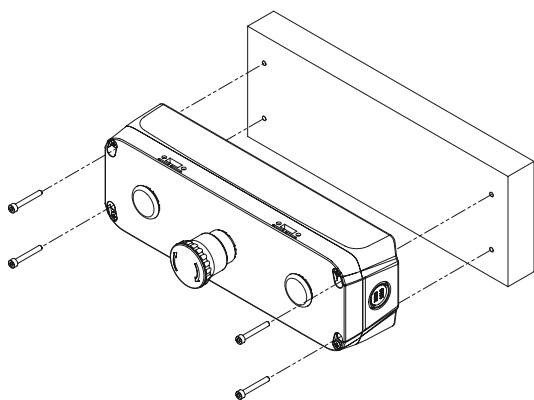
Low Voltage Directive 2014/35/EU, EMC Directive 2014/30/EU.

#### General data

##### Fixing of EROUND housings

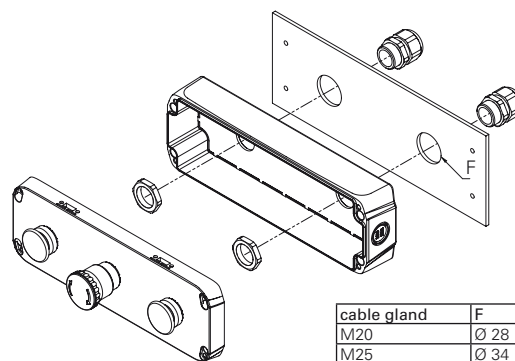
The new housings of the EROUND line by Pizzato Elettrica have 4 additional holes on the cover. The holes enable wall fixing from the outside by means of insertion of the screws, without the need to open the cover to access the holes.

The external fixing of the housing is therefore particularly suited for already wired enclosures.



##### Wiring through the lower surface

Enclosures have 2 conduit entries on the lower surface. These allow the wiring through the support surface without leaving electrical cables in sight.




**Selection table for housings**



Colour	Article	Ø 22 mm hole
 grey RAL 7035	EA 37014	3



Colour	Article	Ø 22 mm hole
 grey RAL 7035	EA 37015	3



Colour	Article	Ø 22 mm hole
 grey RAL 7035	EA 37010	5



Colour	Article	Ø 22 mm hole
 grey RAL 7035	EA 37011	5



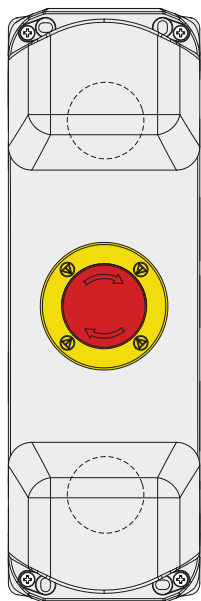
Colour	Article	Ø 22 mm hole
 grey RAL 7035	EA 37012	7



Colour	Article	Ø 22 mm hole
 grey RAL 7035	EA 37013	7

## Complete units with housings

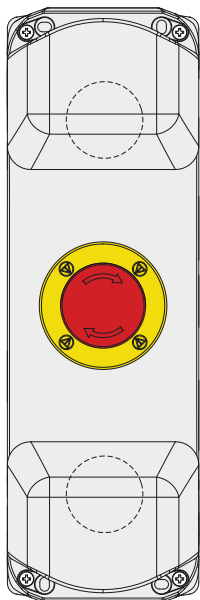
## EA AC37040



Description	Features			Diagram
<b>Mushroom button - 1NO</b> E2 1PU2F4490	spring-return, green			
Guard VE GG3AA9A				
Contacts 1x E2 CP10G2V1	pos. 2 /	pos. 3 1NO	pos. 1 /	
<b>Emergency button Ø 40 - 1NC</b> E2 1PERZ4531	rotary release, 40 mm diameter, red			
Label VETF32A5113				
Contacts 1x E2 CP01G2V1	pos. 2 /	pos. 3 1NC ⊕	pos. 1 /	
<b>Mushroom button - 1NO</b> E2 1PU2F4490	spring-return, green			
Guard VE GG3AA9A				
Contacts 1x E2 CP10G2V1	pos. 2 /	pos. 3 1NO	pos. 1 /	

For IIIA-cat. two-hand controls acc. to EN 574, combine with safety module or safety PLC.  
See Pizzato Elettrica's General Catalogue Safety.

## EA AC37041



Description	Features			Diagram
<b>Mushroom button - 1NO+1NC</b> E2 1PU2F4490	spring-return, green			
Guard VE GG3AA9A				
Contacts E2 CP10G2V1 + E2 CP01G2V1	pos. 2 /	pos. 3 1NO	pos. 1 1NC ⊕	
<b>Emergency button Ø 40 - 2NC</b> E2 1PERZ4531	rotary release, 40 mm diameter, red			
Label VETF32A5113				
Contacts 2x E2 CP01G2V1	pos. 2 1NC ⊕	pos. 3 /	pos. 1 1NC ⊕	
<b>Mushroom button - 1NO+1NC</b> E2 1PU2F4490	spring-return, green			
Guard VE GG3AA9A				
Contacts E2 CP10G2V1 + E2 CP01G2V1	pos. 2 /	pos. 3 1NO	pos. 1 1NC ⊕	

For IIIC-cat. two-hand controls acc. to EN 574, combine with safety module or safety PLC.  
See Pizzato Elettrica's General Catalogue Safety.

**Dimensions**

All measures in the drawings are in mm

